

# PRECISION ORIFICE FITTINGS



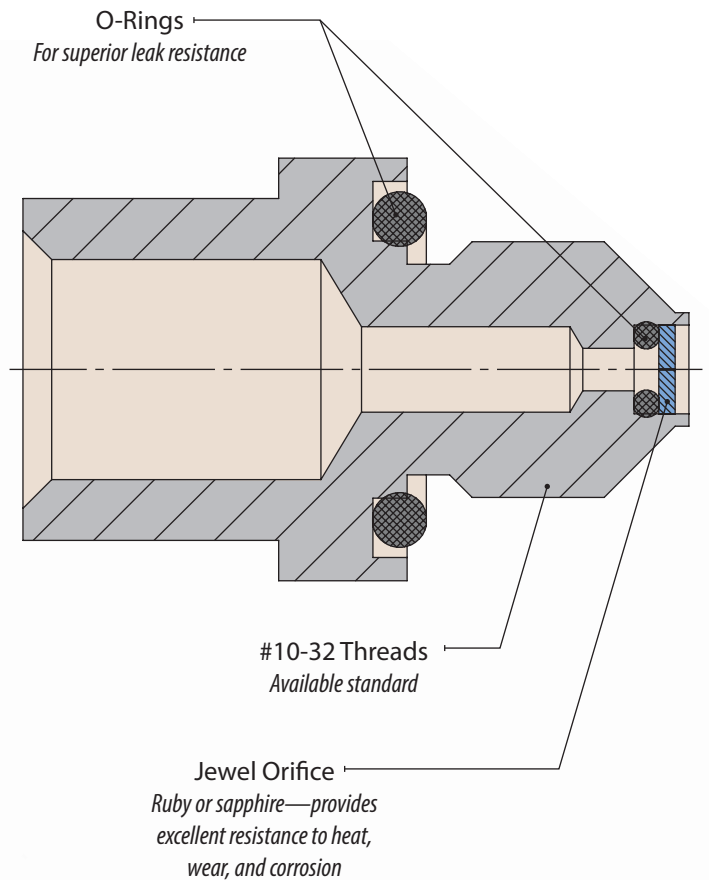
|                          |  |
|--------------------------|--|
| <b>Filtration</b>        | 5 micron filter ( <i>recommended</i> )                           |
| <b>Materials, Wetted</b> | Stainless steel, FKM, and ruby or sapphire                       |
| <b>Media</b>             | Air, liquid, and compatible gases                                |
| <b>Mounting</b>          | Cartridge or in-line   |
| <b>Orifice</b>           | 0.001" to 0.010" (0.03 to 0.25 mm)                               |
| <b>Pressure, Max.</b>    | 500 psig   |
| <b>Temperature Range</b> | -20 to 400°F (-29 to 204°C)                                      |
| <b>Thread</b>            | #10-32 or M5   |
| <b>Tolerance</b>         | ±0.0001" (0.0025 mm)   |
| <b>More Details</b>      | <a href="http://clippard.com/link/pof">clippard.com/link/pof</a> |

With tolerances of  $\pm 0.0001$ " (0.0025 mm), Clippard's precision orifice fittings are engineered for applications where minute flow adjustments are critical. Whether optimizing fuel injection in aerospace applications or fine-tuning fluid dynamics in industrial processes, or ensuring precise dosages in medical, analytical, and life science applications, these meticulously manufactured orifice fittings enable you to achieve the ultra-precise flow control your systems demand.

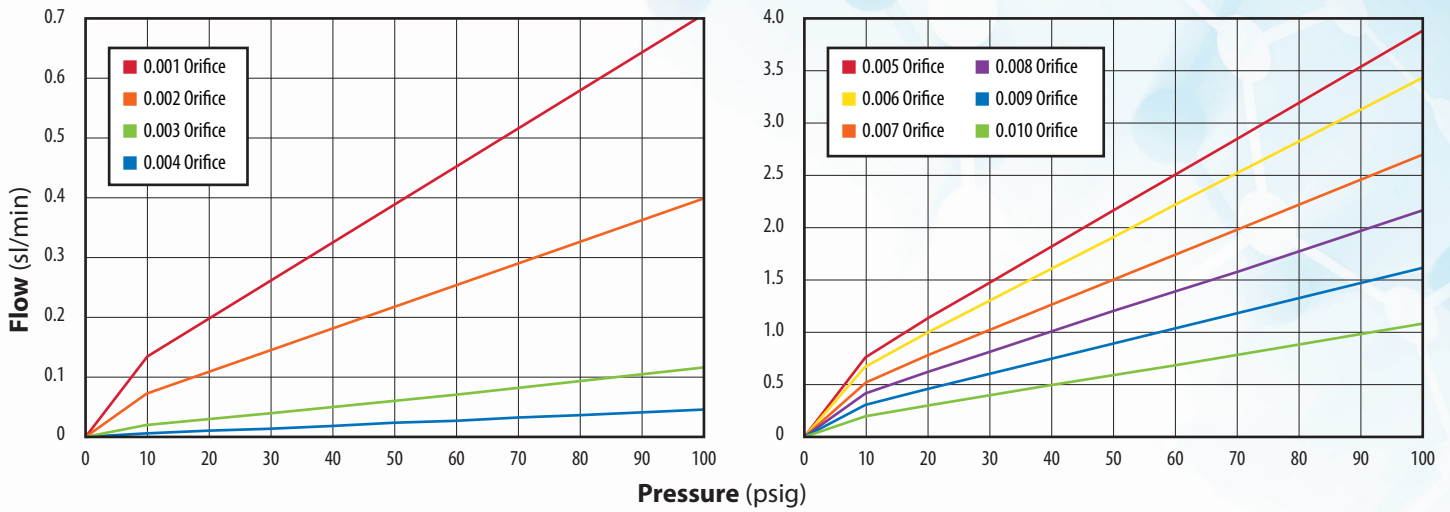
- Exceptional precision for unparalleled accuracy
- Tolerances of  $\pm 0.0001$ " (0.0025 mm)
- Seamlessly integrates into existing systems
- Orifice calibration available

## Applications

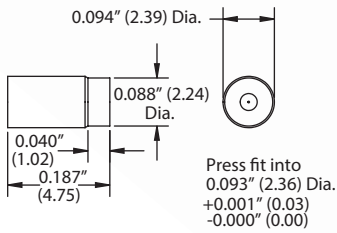
- Precision flow control of gases or liquids
- Fuel injection systems
- Dynamic industrial fluid processes
- Pneumatic or hydraulic circuits requiring accurate timing
- Precision dosing for medical, analytical, and life science
- Ultra high pressure waterjet
- Liquid and gas control units
- Flow meters
- Inkjet printing



## TYPICAL FLOW



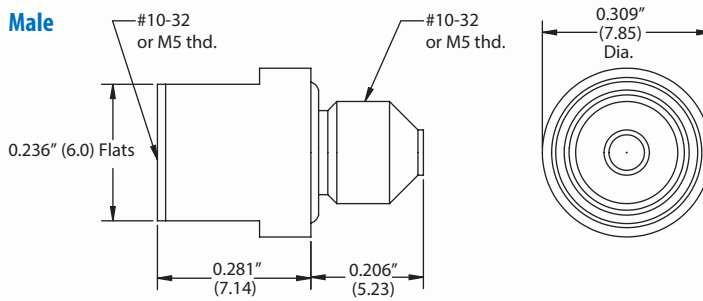
## Cartridge



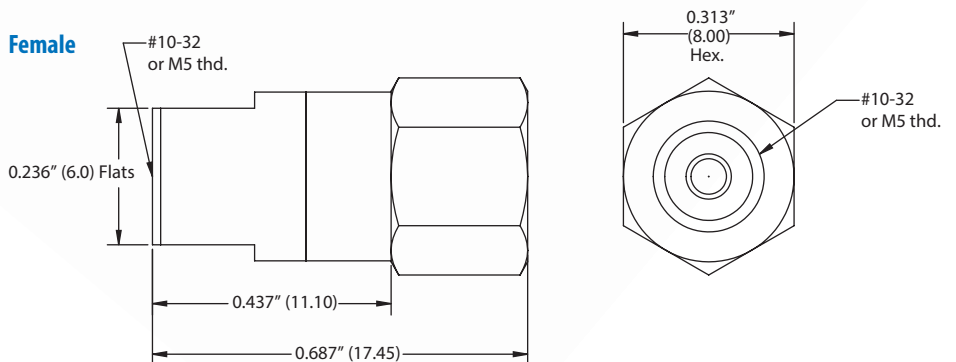
Dimensions shown are in inches (millimeters listed in parentheses).

Visit [clippard.com](http://clippard.com) for more detailed 2D and 3D drawings.

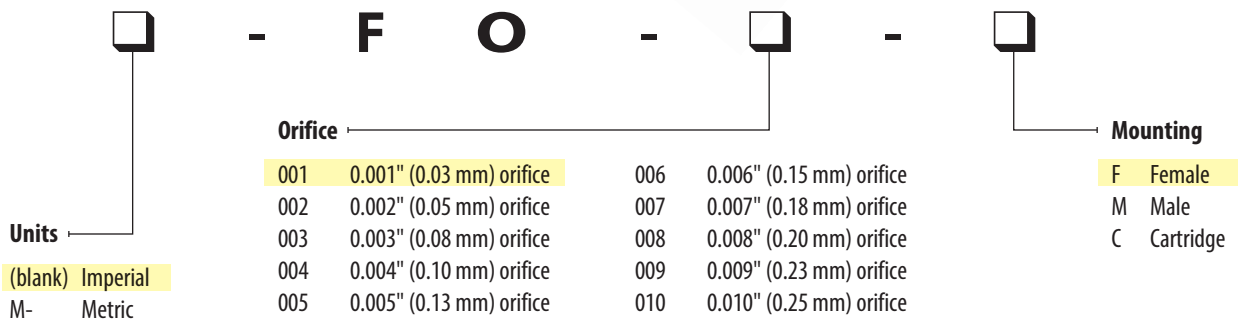
## Male



## Female



## ORDERING INFORMATION



### Example Part Number:

FO-001-F

Contact Clippard for custom flow calibrations or to discuss other orifices, from 0.011" to 0.050" (0.28 to 1.27 mm).

For more info, scan the QR code or visit [clippard.com/link/pof](http://clippard.com/link/pof)

